

Spicer® Drive Axles

SPICER®



Illustrated Parts List

Spicer® Axle Shafts & Wheel End Parts

AXIP-0078

April 2012

Table of Contents

Introduction	2
Genuine Spicer Parts	2
Ordering Spicer Parts.....	2
Axle Shafts by Spline Count	3
16 Spline	3
19 Spline	3
33 Spline	3
34 Spline	4
36 Spline	4-7
39 Spline	7
41 Spline	8-9
46 Spline	9
Axle Shafts by Part Number	10
Miscellaneous Axle Shaft and Wheel End Hardware Parts.....	16
Wheel End Seals	17
Discontinued Axle Shafts.....	20
Superseded Axle Shafts	23

Introduction

This Dana® Spicer® parts book is presented as an aid in the identification and procurement of replacement parts for Spicer axle shafts. The information included covers the most commonly used parts.

We've tried to make ordering the axle shaft you need as easy as possible. The charts on the following pages should take out all the guesswork. Current axle shafts are listed two ways - by spline count and numerically. Superseded axle shafts are grouped at the end of the charts.

The charts also include dimensions and other information to help identify the right shaft. The drawing shows the correct way to measure an axle shaft.

Genuine Spicer Parts

When you buy genuine Spicer replacement parts, you receive the same high quality and exacting tolerances you find in the original axle components. Only genuine Spicer parts have the latest Spicer engineering improvements and assure equal or better performance than the original parts.

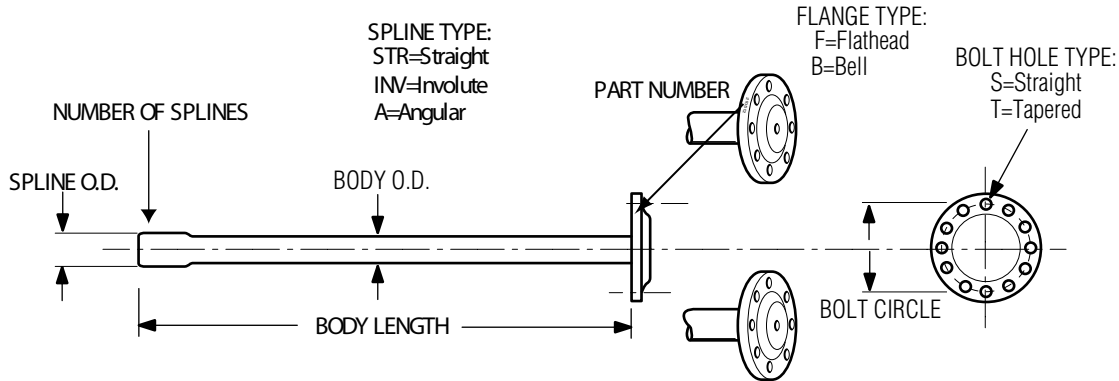
And Spicer backs you up with a responsive and capable service organization strategically located to provide you with emergency parts and service when you need them.

Insist on Spicer quality. Use genuine Spicer replacement parts.

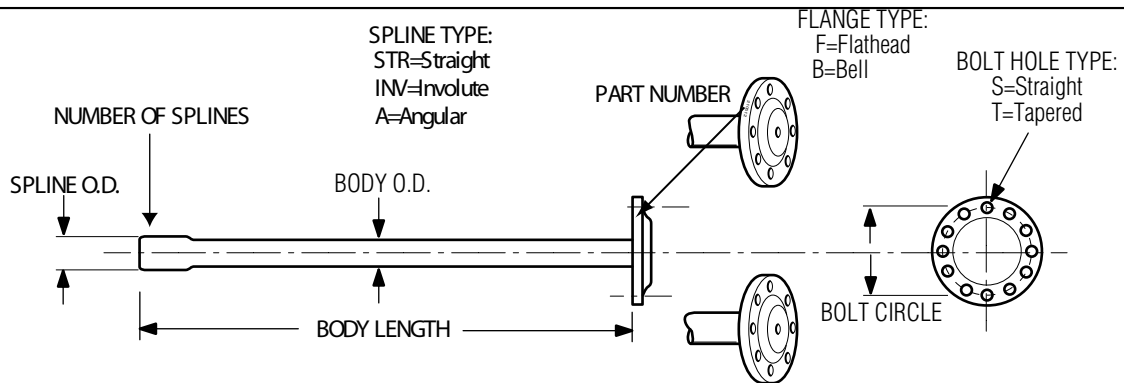
Ordering Spicer Parts

Place all your parts orders through your truck dealer or manufacturer (OEM). Do not order parts directly from Spicer.

Axle Shafts by Spline Count



Axle Shafts by Spline Count



16 Spline

Part No.	Body		Spline	Flange		Bolt		Notes
	Length (in)	Diameter (in)	O.D. (in)	O.D. (in)	Circle (in)	No. Holes	Hole Type	
463338C1	38.000	1.61	1.75	6.19	5.22	8	574-STR	
455462C1	38.625	1.61	1.75	6.19	5.22	8	574-STR	
179882R1	38.625	1.61	1.75	6.25	5.22	6	633-STR	
455460C1	38.660	1.61	1.75	6.19	5.22	8	574-STR	
205468R2	39.500	1.72	1.85	6.19	5.22	6	633-STR	
455464C2	40.000	1.72	1.85	6.19	5.22	8	574-STR	
056980	40.906	1.81	1.98	6.13	5.25	12	781-TPR	
062165	41.131	1.81	1.98	6.13	5.25	12	781-TPR	
076917	41.313	1.87	2.13	8.50	7.00	8	635-STR	

19 Spline

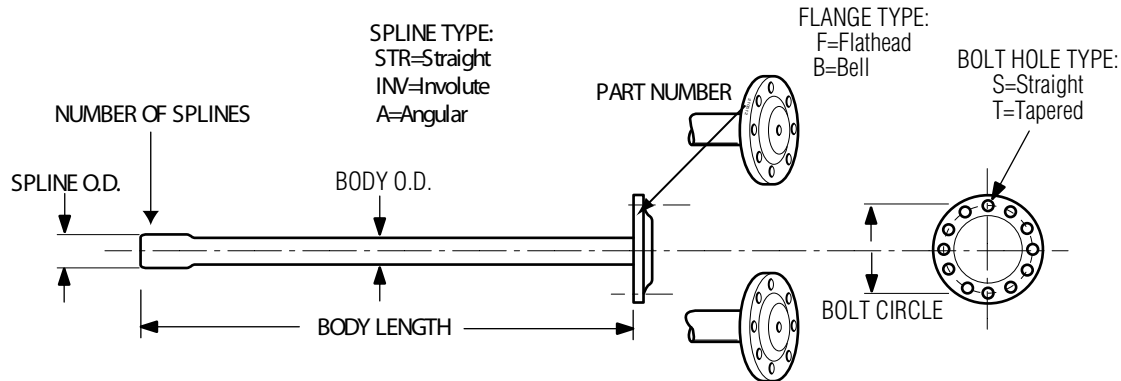
Part No.	Body		Spline	Flange		Bolt		Notes
	Length (in)	Diameter (in)	O.D. (in)	O.D. (in)	Circle (in)	No. Holes	Hole Type	
065360	38.219	1.61	1.78	6.13	5.13	8	781-TPR	Hole dimension changed from 720-TPR to 781-TPR in 2006

33 Spline

Part No.	Body		Spline	Flange		Bolt		Notes
	Length (in)	Diameter (in)	O.D. (in)	O.D. (in)	Circle (in)	No. Holes	Hole Type	
113334	40.750	2.06	2.13	8.50	7.00	8	773-STR	
099407	41.219	2.00	2.50	8.50	7.00	8	635-STR	
126160	41.375	2.06	2.13	8.50	7.00	8	948-TPR	

Axle Shafts by Spline Count

Axle Shafts by Spline Count



34 Spline

Part No.	Body		Spline	Flange		Bolt		Notes
	Length (in)	Diameter (in)	O.D. (in)	O.D. (in)	Circle (in)	No. Holes	Hole Type	
130610	37.480	1.56	1.75	6.19	5.22	8	590-STR	
132869	37.834	1.61	1.75	6.22	5.31	8	781-TRP	
110880	38.219	1.61	1.75	6.22	5.13	8	781-TPR	Hole dimension changed from 720-TPR to 781-TPR in 2006
118866	38.219	1.61	1.75	6.22	5.31	8	781-TPR	
119592	38.500	1.61	1.75	6.19	5.22	8	566-STR	
130758	38.642	1.56	1.75	6.08	5.22	8	485-STR	
133684	38.691	1.56	1.75	6.22	5.22	8	590-STR	
132856	38.740	1.56	1.75	6.22	5.31	8	781-TPR	
111544	38.843	1.61	1.75	6.22	5.31	8	781-TPR	
130611	39.173	1.56	1.75	6.19	5.22	8	590-STR	
130523	39.290	1.56	1.75	6.08	5.22	8	485-STR	
132870	39.842	1.61	1.75	6.22	5.31	8	781-TRP	
132858	40.287	1.56	1.75	6.08	5.22	8	485-STR	
128112	40.340	1.61	1.75	6.22	5.31	8	781-TPR	
132857	40.433	1.56	1.75	6.22	5.31	8	781-TPR	
133684	40.433	1.56	1.75	6.22	5.22	8	590-STR	
130524	41.000	1.56	1.75	6.08	5.22	8	485-STR	
130757	41.653	1.56	1.75	6.08	5.22	8	485-STR	
132859	42.000	1.56	1.75	6.08	5.22	8	485-STR	

36 Spline

Part No.	Body		Spline	Flange		Bolt		Notes
	Length (in)	Diameter (in)	O.D. (in)	O.D. (in)	Circle (in)	No. Holes	Hole Type	
133649	37.480	1.61	1.85	6.22	5.22	8	590-STR	
132808	37.834	1.61	1.85	6.22	5.31	8	781-TPR	
133665	38.125	1.61	1.85	6.22	5.31	8	781-TPR	
133884	38.219	1.61	1.85	6.22	5.31	8	781-TPR	
360SR104-1	38.617	1.72	1.85	6.19	5.22	8	590-STR	
GGASR100-1	38.617	1.72	1.85	6.22	5.31	8	781-TPR	
GGASR102-1	38.617	1.72	1.85	6.22	5.31	8	770-TPR	

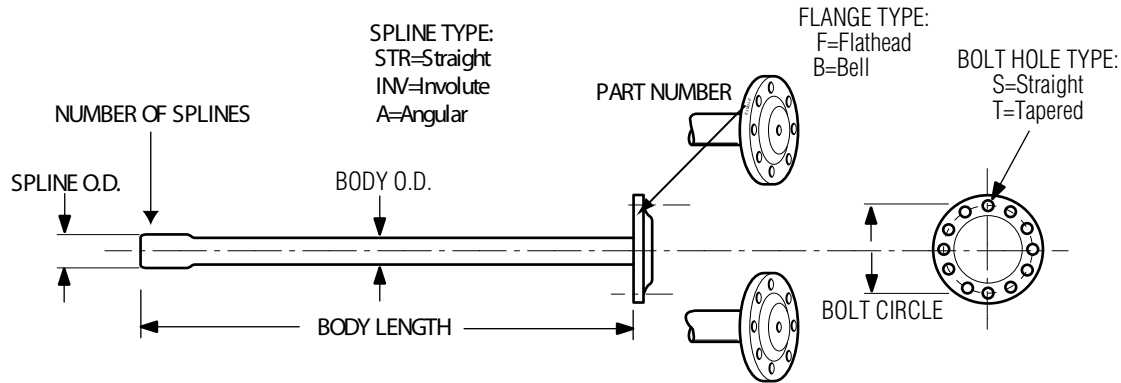
Axle Shafts by Spline Count

36 Spline

Part No.	Body		Spline	Flange		Bolt		Notes
	Length (in)	Diameter (in)	O.D. (in)	O.D. (in)	Circle (in)	No. Holes	Hole Type	
111545	38.678	1.69	1.85	6.24	5.31	8	781-TPR	
132854	38.740	1.61	1.85	6.22	5.31	8	781-TPR	
129958	39.000	2.06	2.31	8.50	7.00	8	948-TPR	
130156	39.000	2.06	2.31	8.50	7.00	8	773-STR	
210902	39.000	2.06	2.31	8.50	7.00	8	773-STR	Diff lock shaft with 11.00" spline
133648	39.173	1.61	1.85	6.22	5.22	8	590-STR	
133996	39.173	1.61	1.85	6.22	5.31	8	781-TPR	
132823	39.290	1.61	1.85	6.08	5.22	8	485-STR	
134075	39.450	1.61	1.85	6.63	5.50	8	635-STR	
134232	39.450	1.61	1.85	6.22	5.25	12	781-TPR	
119593	39.500	1.69	1.85	6.19	5.22	8	566-STR	
133666	39.500	1.61	1.85	6.22	5.31	8	781-TPR	
133885	39.567	1.61	1.85	6.22	5.31	9	781-TPR	
129956	39.625	2.06	2.31	8.50	7.00	8	635-STR	
571348C2	39.700	1.72	1.85	5.22	6.19	8	590-STR	
128438	39.764	2.25	2.31	8.50	7.00	8	773-STR	
128554	39.764	2.25	2.31	8.50	7.00	8	948-TPR	
128552HX	39.764	2.25	2.31	8.50	7.00	8	948-TPR	Diff lock shaft with 11.50" spline
132809	39.842	1.61	1.85	6.22	5.31	8	781-TPR	
360SR112-2	39.917	1.72	1.85	6.08	5.22	8	485-STR	
113335	40.000	2.06	2.31	8.50	7.00	8	773-STR	
126878	40.000	2.06	2.31	8.50	7.00	8	948-TPR	
126881	40.000	2.25	2.31	8.50	7.00	8	948-TPR	
129336	40.000	2.06	2.31	8.50	7.00	8	773-STR	Diff lock shaft with 11.00" spline
129961	40.000	2.06	2.31	8.50	7.00	8	635-STR	Diff lock shaft with 11.00" spline
130107HX	40.000	2.06	2.31	8.50	7.00	8	948-TPR	Diff lock shaft with 11.00" spline
360SR109	40.000	1.72	1.76	6.22	5.31	8	770-TPR	
134234	40.197	1.61	1.85	6.22	5.31	8	781-TPR	
175SR102	40.250	1.72	1.76	6.62	5.50	8	650-STR	
119639	40.313	2.25	2.31	8.50	7.00	8	948-TPR	military
132855	40.433	1.61	1.85	6.22	5.31	8	781-TPR	
360SR108	40.435	1.72	1.85	6.08	5.22	8	485-STR	
113645	40.563	1.69	1.85	6.13	5.25	12	781-TPR	
128440	40.563	2.25	2.31	8.50	7.00	8	948-TPR	
129517	40.563	2.25	2.31	8.50	7.00	8	773-STR	Diff lock shaft with 11.50" spline
128549HX	40.563	2.25	2.31	8.50	7.00	8	635-STR	Diff lock shaft with 11.50" spline
129519HX	40.563	2.25	2.31	8.50	7.00	8	948-TPR	Diff lock shaft with 11.50" spline
129140	40.600	2.06	2.31	8.50	7.00	8	773-STR	Diff lock shaft with 11.00" spline
129141	40.600	2.06	2.31	8.50	7.00	8	948-TPR	Diff lock shaft with 11.00" spline
130113	40.600	2.06	2.31	8.50	7.00	8	635-STR	
GGASR100-9	40.600	1.72	1.85	6.19	5.31	8	590-STR	
GGASR103-1	40.600	1.72	1.85	6.19	5.25	12	781-TPR	
GGASR103-4	40.600	1.72	1.85	6.19	5.25	12	770-TPR	
170SR101	40.730	1.72	1.76	6.62	5.50	8	650-STR	
119596	40.750	2.06	2.31	8.50	7.00	8	773-STR	
110889	40.875	2.06	2.31	8.50	7.00	8	635-STR	

Axle Shafts by Spline Count

Axle Shafts by Spline Count



36 Spline

Part No.	Body		Spline	Flange		Bolt		Notes
	Length (in)	Diameter (in)	O.D. (in)	O.D. (in)	Circle (in)	No. Holes	Hole Type	
128375	40.906	1.75	1.85	6.13	5.25	12	781-TPR	
210654	40.906	1.81	1.85	6.13	5.25	12	781-TPR	
132824	41.000	1.61	1.85	6.08	5.22	8	485-STR	
110890	41.063	2.00	2.31	8.50	7.00	8	948-TPR	
134074	41.150	1.61	1.85	6.63	5.50	8	635-STR	
134231	41.150	1.61	1.85	6.22	5.25	12	781-TPR	
126965	41.313	2.25	2.31	8.50	7.00	8	948-TPR	
128400	41.313	2.25	2.31	8.50	7.00	8	773-STR	
128599	41.313	2.25	2.31	8.50	7.24	8	948-TPR	
129513	41.313	2.25	2.31	8.50	7.00	8	948-TPR	Diff lock shaft with 11.50" spline
129515	41.313	2.25	2.31	8.50	7.00	8	635-STR	Diff lock shaft with 11.50" spline
129516	41.313	2.25	2.31	8.50	7.00	8	773-STR	Diff lock shaft with 11.50" spline
129138	41.375	2.06	2.31	8.50	7.00	8	948-TPR	Diff lock shaft with 11.00" spline
129142	41.375	2.06	2.31	8.50	7.00	8	773-STR	Diff lock shaft with 11.00" spline
129507	41.375	2.06	2.31	8.50	7.00	8	948-TPR	
129597	41.375	2.06	2.31	8.50	7.00	8	773-STR	
126958	42.000	2.06	2.31	8.50	7.00	8	948-TPR	
129960	42.000	2.06	2.31	8.50	7.00	8	773-STR	
134235	42.205	1.61	1.85	6.22	5.31	8	781-TPR	
129520	42.216	2.25	2.31	8.50	7.00	8	948-TPR	Diff lock shaft with 11.50" spline
129522	42.216	2.25	2.31	8.50	7.00	8	635-STR	Diff lock shaft with 11.50" spline
128975	42.500	2.06	2.31	8.50	7.24	8	948-TPR	
130213HX	42.500	2.06	2.31	8.50	7.00	8	948-TPR	
119409	42.750	2.25	2.31	8.50	7.00	8	948-TPR	
126804	42.750	2.25	2.31	8.50	7.24	8	948-TPR	
129954	42.750	2.06	2.31	8.50	7.00	8	948-TPR	
128468	43.500	2.25	2.31	8.50	7.00	8	948-TPR	
126197	43.750	2.25	2.31	8.50	7.24	8	948-TPR	
129511	43.750	2.25	2.31	8.50	7.24	8	948-TPR	Diff lock shaft with 11.50" spline
129585	43.750	2.25	2.31	8.50	7.00	8	948-TPR	Diff lock shaft with 11.50" spline
360SR112-1	43.952	1.72	1.85	6.08	5.22	8	485-STR	

Axle Shafts by Spline Count

36 Spline

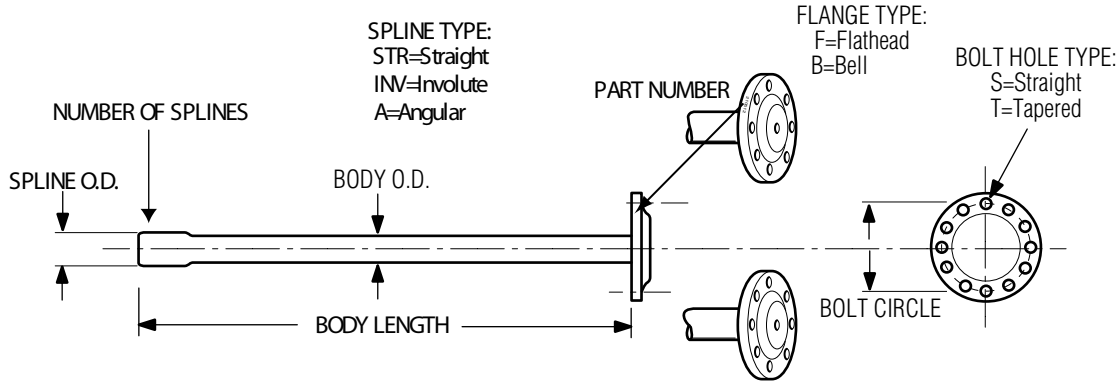
Part No.	Body		Spline	Flange		Bolt		Notes
	Length (in)	Diameter (in)	O.D. (in)	O.D. (in)	Circle (in)	No. Holes	Hole Type	
129556	44.118	2.06	2.31	8.50	7.00	8	948-TPR	
126196	44.250	2.25	2.31	8.50	7.00	8	948-TPR	
126602	44.250	2.25	2.31	8.50	7.00	8	635-STR	
129002	44.250	2.25	2.31	8.50	7.00	8	948-TPR	Diff lock shaft with 11.50" spline
129423	44.250	2.25	2.31	8.50	7.24	8	948-TPR	
119904	45.250	2.25	2.31	8.50	7.00	8	948-TPR	
129000	45.250	2.25	2.31	8.50	7.00	8	948-TPR	Diff lock shaft with 11.50" spline
129509	46.750	2.25	2.31	8.50	7.24	8	948-TPR	
119905	47.750	2.25	2.31	8.50	7.00	8	948-TPR	
129304	49.500	2.25	2.31	8.50	7.24	8	948-TPR	

39 Spline

Part No.	Body		Spline	Flange		Bolt		Notes
	Length (in)	Diameter (in)	O.D. (in)	O.D. (in)	Circle (in)	No. Holes	Hole Type	
129010	38.500	1.81	2.00	6.22	5.25	12	781-TPR	
129439	38.500	1.81	2.00	6.22	5.25	12	566-STR	
132872	38.500	1.81	2.50	6.63	5.50	8	635-STR	
130912	38.688	1.81	2.00	6.63	5.50	8	635-STR	Diff lock shaft with 11.00" spline
MJASR123-1	40.000	1.85	2.00	8.38	7.00	8	778-STR	
133961	40.118	1.81	2.00	6.22	5.25	12	781-TPR	
133963	40.118	1.81	2.00	6.63	5.50	8	635-STR	
571349C2	40.250	1.85	2.00	6.62	5.50	8	650-STR	
126879	40.563	2.25	2.50	8.50	7.00	8	948-TPR	
578778C2	40.900	1.85	2.00	6.62	5.50	8	650-STR	
MJASR100-1	40.900	1.85	2.00	6.19	5.25	12	781-TPR	
MJASR102-1	40.900	1.85	2.00	6.19	5.25	12	770-TPR	
110882	40.906	1.81	2.00	6.22	5.25	12	781-TPR	
119594	40.906	1.81	2.00	6.63	5.50	8	635-STR	
110886	41.313	1.81	2.00	6.22	5.25	12	781-TPR	
108551	41.750	2.25	2.50	8.50	7.00	8	948-TPR	Military
129053	42.750	1.87	2.00	6.22	5.25	12	781-TPR	Shaft with 11.00" spline for IASS
129440	42.750	1.81	2.00	6.22	5.25	12	566-STR	
129479	42.750	1.81	2.00	6.22	5.25	12	781-TPR	
132878	42.750	1.87	2.00	6.63	5.50	8	635-STR	Diff lock shaft with 11.00" spline
133659	42.750	1.87	2.00	6.22	5.25	12	566-STR	
130911	42.875	1.81	2.00	6.63	5.50	8	635-STR	
578776C2	43.094	1.85	2.00	6.62	5.50	8	650-STR	
108552	43.750	2.25	2.50	8.50	7.00	8	948-TPR	Military
108555	44.250	2.25	2.50	8.50	7.00	8	948-TPR	Military
108556	45.250	2.25	2.50	8.50	7.00	8	948-TPR	Military

Axle Shafts by Spline Count

Axle Shafts by Spline Count



41 Spline

Part No.	Body		Spline	Flange		Bolt		Notes
	Length (in)	Diameter (in)	O.D. (in)	O.D. (in)	Circle (in)	No. Holes	Hole Type	
128514	38.130	1.87	2.11	8.50	7.00	8	773-STR	
128558	38.130	1.87	2.11	8.50	7.00	8	773-STR	IASS shaft with 11.00" spline
128521HX	38.130	1.87	2.11	8.50	7.00	8	948-TPR	
127437	38.976	1.87	2.11	8.50	7.00	8	635-STR	
128516	38.976	1.87	2.11	8.50	7.00	8	948-TPR	
128560	38.976	1.87	2.11	8.50	7.00	8	948-TPR	Diff lock shaft with 11.00" spline
390SR101-2	39.440	1.89	2.11	8.38	7.00	8	948-TPR	
571350C2	40.000	1.89	2.11	8.38	7.00	8	778-STR	
126877	40.630	1.87	2.11	8.50	7.00	8	948-TPR	
128243	40.630	1.87	2.11	8.50	7.00	8	635-STR	
129332	40.690	1.87	2.11	8.50	7.00	8	773-STR	
MJASR124	40.720	1.89	2.13	8.38	7.00	8	734-TPR	
127189	41.063	1.87	2.11	8.50	7.00	8	948-TPR	
110888	41.313	1.87	2.11	8.50	7.00	8	635-STR	
128500	41.313	1.87	2.11	8.50	7.00	8	948-TPR	Diff lock shaft with 11.00" spline
128912	41.313	1.87	2.11	8.50	7.00	8	773-STR	
390SR101-1	41.350	1.89	2.11	8.38	7.00	8	778-STR	
129330	41.500	1.87	2.11	8.50	7.00	8	948-TPR	
390SR101-3	42.070	1.89	2.11	8.38	7.00	8	948-TPR	
128515	42.460	1.87	2.11	8.50	7.00	8	773-STR	
128559	42.460	1.87	2.11	8.50	7.00	8	773-STR	IASS shaft with 11.00" spline
128563	42.460	1.87	2.11	8.50	7.00	8	948-TPR	Diff lock shaft with 11.00" spline
128910	42.460	1.87	2.11	8.50	7.00	8	635-STR	
128522HX	42.460	1.87	2.11	8.50	7.00	8	948-TPR	
127438	43.307	1.87	2.11	8.50	7.00	8	635-STR	
128435	43.307	1.87	2.11	8.50	7.00	8	635-STR	Diff lock shaft with 11.00" spline
128517HX	43.307	1.87	2.11	8.50	7.00	8	948-TPR	
128561HX	43.307	1.87	2.11	8.50	7.00	8	948-TPR	
129388	43.887	1.87	2.11	8.50	7.00	8	773-STR	
130963	44.380	1.87	2.11	8.50	7.00	8	948-TPR	
129306	45.500	1.87	2.11	8.50	7.00	8	635-STR	

Axle Shafts by Spline Count

41 Spline

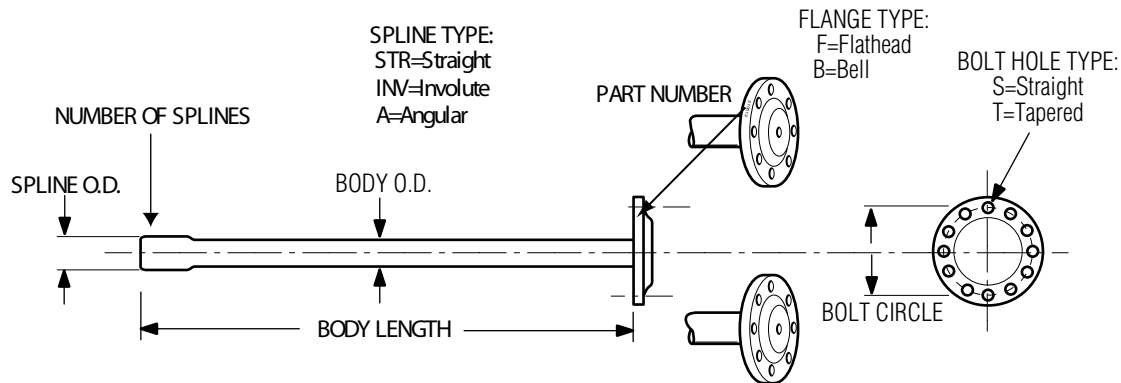
Part No.	Body		Spline	Flange		Bolt		Notes
	Length (in)	Diameter (in)	O.D. (in)	O.D. (in)	Circle (in)	No. Holes	Hole Type	
113503	46.156	1.87	2.11	8.50	7.00	8	948-TPR	
126684	46.156	1.87	2.11	8.50	7.00	8	635-STR	
128504	46.156	1.87	2.11	8.50	7.00	8	635-STR	Diff lock shaft with 11.00" spline

46 Spline

Part No.	Body		Spline	Flange		Bolt		Notes
	Length (in)	Diameter (in)	O.D. (in)	O.D. (in)	Circle (in)	No. Holes	Hole Type	
131805	36.150	2.06	2.35	8.50	7.00	8	773-STR	
131807	36.150	2.25	2.35	8.50	7.00	8	773-STR	
131246	37.000	2.25	2.35	8.50	7.00	8	948-TPR	
131428	37.000	2.06	2.35	8.50	7.00	8	948-TPR	
131517	37.716	2.25	2.35	8.50	7.00	8	948-TPR	
131720	38.425	2.25	2.35	8.50	7.24	8	948-TPR	
131718	38.898	2.25	2.35	8.50	7.24	8	948-TPR	
131722	39.331	2.25	2.35	8.50	7.24	8	948-TPR	
131504	39.835	2.25	2.35	8.50	7.00	8	948-TPR	
230SR100-1	39.980	2.06	2.35	8.38	7.00	8	778-STR	
131751	40.196	2.25	2.35	8.50	7.24	8	948-TPR	
131723	40.394	2.25	2.35	8.50	7.24	8	948-TPR	
300SR101-2	40.607	2.25	2.35	8.38	7.00	8	948-TPR	
057SR102-1	40.840	2.06	2.35	8.38	7.00	8	948-TPR	
134054	41.154	2.25	2.35	8.50	7.00	8	948-TPR	
131725	42.894	2.25	2.35	8.50	7.24	8	948-TPR	
300SR101-1	43.607	2.25	2.35	8.38	7.00	8	948-TPR	
131516	45.150	2.25	2.35	8.50	7.00	8	948-TPR	
131740	45.150	2.25	2.35	8.50	7.00	8	948-TPR	
131804	45.150	2.06	2.35	8.50	7.00	8	773-STR	
131806	45.150	2.25	2.35	8.50	7.00	8	773-STR	Diff lock shaft with 11.50" spline
131727	45.394	2.25	2.35	8.50	7.24	8	948-TPR	
131245	46.000	2.25	2.35	8.50	7.00	8	948-TPR	Diff lock shaft with 11.50" spline
131247	46.000	2.25	2.35	8.50	7.00	8	948-TPR	
131429	46.000	2.06	2.35	8.50	7.00	8	948-TPR	
131717	46.949	2.25	2.35	8.50	7.24	8	948-TPR	Diff lock shaft with 11.50" spline
131719	47.500	2.25	2.35	8.50	7.24	8	948-TPR	Diff lock shaft with 11.50" spline
131721	48.425	2.25	2.35	8.50	7.24	8	948-TPR	Diff lock shaft with 11.50" spline
131503	48.835	2.25	2.35	8.50	7.00	8	948-TPR	Diff lock shaft with 11.50" spline
131750	49.291	2.25	2.35	8.50	7.24	8	948-TPR	
134052	50.154	2.25	2.35	8.50	7.00	8	948-TPR	
131724	50.945	2.25	2.35	8.50	7.24	8	948-TPR	Diff lock shaft with 11.50" spline
131726	53.445	2.25	2.35	8.50	7.24	8	948-TPR	Diff lock shaft with 11.50" spline

Axle Shafts by Part Number

Axle Shafts by Part Number



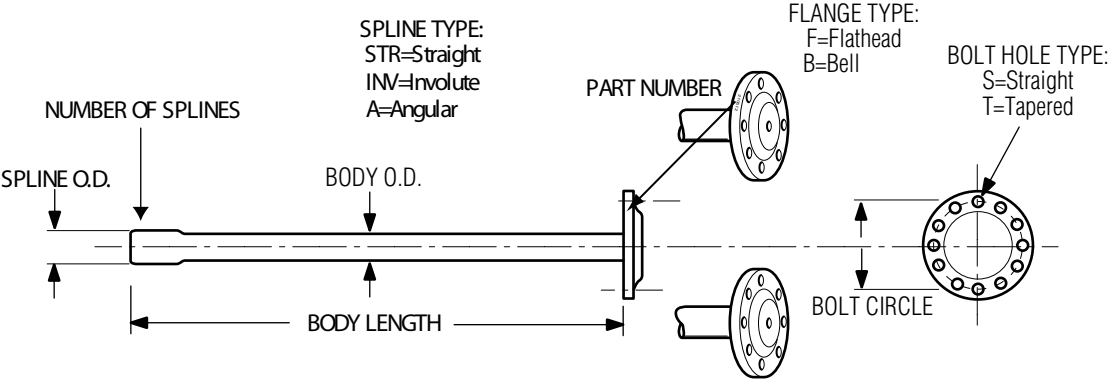
Part No.	Model	BODY		Type	No.	O.D. (in)	SPLINE		FLANGE			Diff Lock Spline
		Length (in)	Dia. (in)				Flange Type	O.D. (in)	Bolt Circle (in)	No. Holes	Hole Type	
056980	17, 34, 340	40.906	1.81	S	16	1.98	F	6.13	5.25	12	781-TPR	
062165	17, 34, 340	41.313	1.81	S	16	1.98	F	6.13	5.25	12	781-TPR	
065360	13, 15	38.219	1.61	S	19	1.78	B	6.13	5.13	8	781-TPR	
076917	38, 380	41.313	1.87	S	16	2.13	B	8.50	7.00	8	635-STR	
099407	400, 401, 451	41.219	2.00	I	33	2.13	B	8.50	7.00	8	635-STR	
108551	35, 580, 650	41.750	2.25	I	39	2.50	B	8.50	7.00	8	948-TPR	
108552	35, 580, 650	43.750	2.25	I	39	2.50	B	8.50	7.00	8	948-TPR	
108555	35, 580, 650	44.250	2.25	I	39	2.50	B	8.50	7.00	8	948-TPR	
108556	35, 580, 650	45.250	2.25	I	39	2.50	B	8.50	7.00	8	948-TPR	
110880	13, 15	38.219	1.61	I	34	1.75	B	6.22	5.13	8	720-TPR	
110882	17, 34, D/R340, 341	40.906	1.81	I	39	2.00	F	6.13	5.25	12	781-TPR	
110886	17, 34, D/R340, 341	41.313	1.81	I	39	2.00	F	6.13	5.25	12	748-TPR	
110888	38, 380, 381, 402	41.313	1.87	I	41	2.11	B	8.50	7.00	8	635-STR	
110889	19, 23, 26, 44, 440, 460, 480, 461, 462	40.875	2.06	I	36	2.31	B	8.50	7.00	8	635-STR	
110890	19, 23, 26, 44, 440, 460, 480, 461, 462	41.063	2.06	I	36	2.31	B	8.50	7.00	8	948-TPR	
111544	15	38.843	1.61	I	34	1.75	B	6.22	5.31	8	781-TPR	
111545	16220	38.678	1.69	I	36	1.85	B	6.24	5.31	8	781-TPR	
113334	D/R401, 451	40.750	2.06	I	33	2.13	B	5.20	7.00	8	733-STR	
113335	440, 461	40.000	2.06	I	36	2.31	B	8.50	7.00	8	773-STR	
113503	D/R404, Wide Track	46.156	1.87	I	41	2.11	B	8.50	7.00	8	948-TPR	
113645	16	40.563	1.69	I	36	1.85	F	6.13	5.25	12	781-TPR	
118866	13, 15	38.219	1.61	I	34	1.75	B	6.22	5.31	8	781-TPR	
119409	580, 650	42.750	2.25	I	36	2.31	B	8.50	7.00	8	948-TPR	
119592	15	38.500	1.61	I	34	1.75	F	6.19	5.22	8	566-STR	
119593	16	39.500	1.69	I	36	1.85	F	6.19	5.22	8	566-STR	
119594	17, 341	40.906	1.81	I	39	2.00	F	6.63	5.50	8	640-STR	
119596	23	40.750	2.06	I	36	2.31	B	8.50	7.00	8	773-STR	
119639	D/R480	40.313	2.25	I	36	2.31	B	8.50	7.00	8	948-TPR	
119904	D/R521, 581, 601, 651	45.250	2.25	I	36	2.31	B	8.50	7.00	8	948-TPR	
119905	521	47.750	2.25	I	36	2.31	B	8.50	7.00	8	948-TPR	
126160	D/R401, 451	41.375	2.06	I	33	2.13	B	8.50	7.00	8	948-TPR	

Axle Shafts by Part Number

Part No.	Model	BODY					SPLINE			FLANGE		Diff Lock Spline
		Length (in)	Dia. (in)	Type	No.	O.D. (in)	Flange Type	O.D. (in)	Bolt Circle (in)	No. Holes	Hole Type	
126196	30105S	44.250	2.25	I	36	2.31	B	8.50	7.00	8	948-TPR	
126197	30105S	43.750	2.25	I	36	2.31	B	8.50	7.24	8	948-TPR	
126602	463, 521	44.250	2.25	I	36	2.31	B	8.50	7.00	8	635-STR	
126684	D/R404, Wide Track	46.156	1.87	I	41	2.11	B	8.50	7.00	8	635-STR	
126804	30080P, 601, 651	42.750	2.25	I	36	2.31	B	8.50	7.24	8	948-TPR	
126877	D/R402, 403	40.630	1.87	I	41	2.11	B	8.50	7.00	8	948-TPR	
126878	21080S, 23080S, 26080S, 23090S, D/R461, 462	40.000	2.06	I	36	2.31	B	8.50	7.00	8	948-TPR	
126879	23105S	40.563	2.25	I	39	2.50	B	8.50	7.00	8	948-PTR	
126881	D/R521, 581, 601, 651	40.000	2.25	I	36	2.31	B	8.50	7.00	8	948-TPR	
126958	21080S, 23080S, 26080S, 23090S, D/R461, 462	42.000	2.06	I	36	2.31	B	8.50	7.00	8	948-TPR	
126965	23105S, 26105S, 23080P	41.313	2.25	I	36	2.31	B	8.50	7.00	8	948-TPR	
127189	D/R402, 21060T	41.063	1.87	I	41	2.11	B	8.50	7.00	8	948-TPR	
127437	21060S, 404, 405, 454	38.976	1.87	I	41	2.11	B	8.50	7.00	8	635-STR	
127438	21060S, 404, 405, 454	43.307	1.87	I	41	2.11	B	8.50	7.00	8	635-STR	
128112	15040S, 15040T	40.340	1.61	I	34	1.75	B	6.22	5.31	8	781-TPR	
128243	454, 404, 22060S, Wide Track	40.630	1.87	I	41	2.11	B	8.50	7.00	8	635-STR	
128375	19050S, 19050T	40.906	1.75	I	36	1.85	F	6.13	5.25	12	748-TPR	
128400	23105S	41.313	2.25	I	36	2.31	B	8.50	7.00	8	773-STR	
128435	404, 405, 454, 21060D,	43.307	1.87	I	41	2.11	B	8.50	7.00	8	635-STR	11.00"
128438	23105S, 23105D, 26105S, 26105D	39.764	2.25	I	36	2.31	B	8.50	7.00	8	773-STR	
128440	26105S, 30105S	40.563	2.25	I	36	2.31	B	8.50	7.00	8	948-TPR	
128468	30105S	43.500	2.25	I	36	2.31	B	8.50	7.00	8	948-TPR	
128500	DA/RA402	41.131	1.87	I	41	2.10	B	8.50	7.00	8	948-TPR	11.00"
128504	454, Wide Track	46.156	1.87	I	41	2.11	B	8.50	7.00	8	635-STR	11.00"
128514	404, 405, 454, 20606S, 21060D, 22060S, 22060D	38.130	1.87	I	41	2.11	B	8.50	7.00	8	773-STR	
128515	404, 405, 454, 21060S, 22060S	42.460	1.87	I	41	2.11	B	8.50	7.00	8	773-STR	
128516	DS/RS404, 405, 454, 21060S, 22060S	38.976	1.87	I	41	2.11	B	8.50	7.00	8	948-TPR	
128549HX	462, 463, 23080D, 26090D	40.563	2.25	I	36	2.31	B	8.50	7.00	8	635-STR	11.50"
128552HX	23105D, 26105D, 26105D	39.764	2.25	I	36	2.31	B	8.50	7.00	8	948-TPR	11.50"
128554	23105S, 26105S, 26105D	39.764	2.25	I	36	2.31	B	8.50	7.00	8	948-TPR	
128558	DD404, 21060D, RD404	38.130	1.87	I	41	2.11	B	8.50	7.00	8	773-STR	11.00"
128559	DD/RD404, 405, 21060D, 22060D	42.460	1.87	I	41	2.11	B	8.50	7.00	8	773-STR	11.00"
128560	DA/RA404, 405	38.976	1.87	I	41	2.11	B	8.50	7.00	8	948-TPR	11.00"
128563	DD/RD404	42.460	1.87	I	41	2.11	B	8.50	7.00	8	948-TPR	11.00"
128599	30105S, 30105D	41.313	2.25	I	36	2.31	B	8.50	7.24	8	948-TPR	
128910	404, 454, Wide Track	42.460	1.87	I	41	2.11	B	8.50	7.00	8	635-STR	
128912	404 Wide Track	41.313	1.87	I	41	2.11	B	8.50	7.00	8	773-STR	
128975	D/R461	42.500	2.06	I	36	2.31	B	8.50	7.24	8	948-TPR	
129000	DD/RD461, 462, 463	45.250	2.25	I	36	2.31	B	8.50	7.00	8	948-TPR	11.50"
129002	D/R463, 521, 30105D	44.250	2.25	I	36	2.31	B	8.50	7.00	8	948-TPR	11.50"
129010	D/R344, 17060S, 19060S	38.500	1.81	I	39	2.00	F	6.13	5.25	12	781-TPR	
129053	19060D, 17060D, D/R344 IASS	42.750	1.81	I	39	2.00	F	6.13	5.25	12	781-TPR	11.00"
129138	462, 463, 23080D, 26931, 23941	41.375	2.06	I	36	2.31	B	8.50	7.00	8	948-TPR	11.00"
129140	462, 463, 23080D, 26090D	40.600	2.06	I	36	2.31	B	8.50	7.00	8	773-STR	11.00"
129141	462, 463, 23080D, 26090D	40.600	2.06	I	36	2.31	B	8.50	7.00	8	948-TPR	11.00"
129142	23080A	41.375	2.06	I	36	2.31	B	8.50	7.00	8	733-STR	11.00"

Axle Shafts by Part Number

Axle Shafts by Part Number



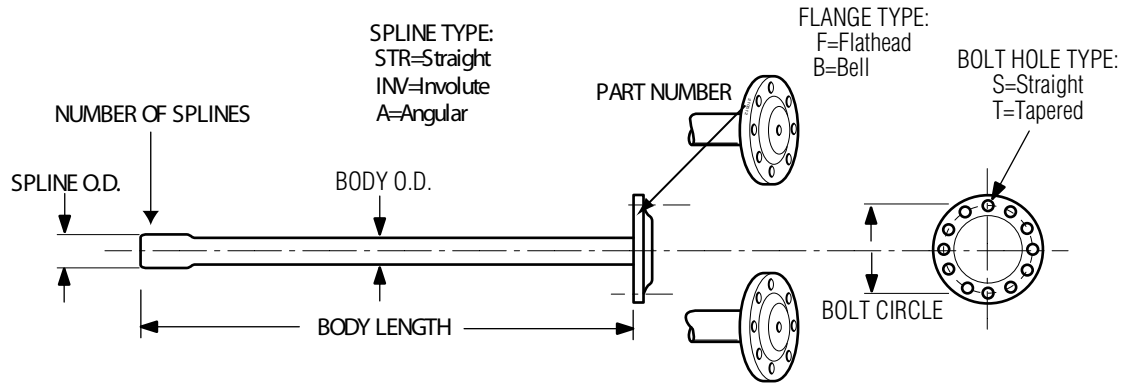
Part No.	Model	BODY		Type	No.	O.D. (in)	SPLINE		FLANGE		Diff Lock Spline	
		Length (in)	Dia. (in)				Flange Type	O.D. (in)	Bolt Circle (in)	No. Holes		Hole Type
129304	D/R652	49.500	2.25	I	36	2.31	B	8.50	7.24	8	948-TPR	
129306	404, 454, Wide Track	45.500	1.87	I	41	2.11	B	8.50	7.00	8	635-STR	
129330	402, 403, 451, 17433, 21060T, 22060B, 22060T	41.500	1.87	I	41	2.11	B	8.50	7.00	8	948-TPR	
129332	402, 403	40.690	1.87	I	41	2.11	B	8.50	7.00	8	773-STR	
129336	462, 463, 23090D	40.000	2.06	I	36	2.31	B	8.50	7.00	8	773-STR	11.00"
129388	404 Wide Track	43.887	1.87	I	41	2.11	B	8.50	7.00	8	773-STR	
129423	601, 652, 35055P, 35055T,	44.250	2.25	I	36	2.31	B	8.50	7.24	8	948-TPR	
129439	17060S, 19060S, D/R344	38.500	1.81	I	39	2.00	F	6.13	5.25	12	566-STR	
129440	17060S, 19060S, D/R344	42.750	1.81	I	39	2.00	F	6.13	5.25	12	566-STR	
129479	17060S, 19060S, D/R344	42.750	1.81	I	39	2.00	F	6.13	5.25	12	781-TPR	
129507	21080S, 23080S, 26080S, 23090S, D/R461, 462	41.375	2.06	I	36	2.31	B	8.50	7.00	8	948-TPR	
129509	462, 463	46.750	2.25	I	36	2.31	B	8.50	7.24	8	948-TPR	
129511	30105D	43.750	2.25	I	36	2.31	B	8.50	7.24	8	948-TPR	11.50"
129513	462, 463, 521, 23105D, 26105D	41.313	2.25	I	36	2.31	B	8.50	7.00	8	948-TPR	11.50"
129515	DD461, 462, 23105D	41.313	2.25	I	36	2.31	B	8.50	7.00	8	635-STR	11.50"
129516	23105D, 26105D	41.313	2.25	I	36	2.31	B	8.50	7.00	8	773-STR	11.50"
129517	23105D	40.563	2.25	I	36	2.31	B	8.50	7.00	8	773-STR	11.50"
129520	23105D	42.216	2.25	I	36	2.31	B	8.50	7.00	8	948-TPR	11.50"
129522	521, 23105D, 26105D	42.216	2.25	I	36	2.31	B	8.50	7.00	8	635-STR	11.50"
129556	21080S, 23080S, 26080S, 23090S, D/R461, 462	44.118	2.06	I	36	2.31	B	8.50	7.00	8	948-TPR	
129585	30105D	43.750	2.25	I	36	2.31	B	8.50	7.00	8	948-TPR	11.50"
129597	21080S, 23080S, 26080S, 23090S, D/R461, 462	41.375	2.06	I	36	2.31	B	8.50	7.00	8	773-STR	
129954	21080S, 23080S, 26080S, 23090S, D/R461, 462	42.750	2.06	I	36	2.31	B	8.50	7.00	8	948-TPR	
129956	21080S, 23080S, 26080S, 23090S, D/R461, 462	39.625	2.06	I	36	2.31	B	8.50	7.00	8	635-STR	
129958	21080S, 23080S, 26080S, 23090S, D/R461, 462	39.000	2.06	I	36	2.31	B	8.50	7.00	8	948-TPR	
129960	21080S, 23080S, 26080S, 23090S, D/R461, 462	42.000	2.06	I	36	2.31	B	8.50	7.00	8	773-STR	
129961	21090D, 23090D, 26090D	40.000	2.06	I	36	2.31	B	8.50	7.00	8	635-STR	11.00"
130107HX	21090D, 23090D, 26090D	40.000	2.06	I	36	2.31	B	8.50	7.00	8	948-TPR	11.00"
130113	23090B, 26090B, 26090S	40.600	2.06	I	36	2.31	B	8.50	7.00	8	635-STR	
130156	21080S, 23080S, 26080S, 23090S, D/R461, 462	39.000	2.06	I	36	2.31	B	8.50	7.00	8	773-STR	
130213HX	21080S, 23080S, 26080S, 23090S, D/R461, 462	42.500	2.06	I	36	2.31	B	8.50	7.00	8	948-TPR	

Axle Shafts by Part Number

Part No.	Model	BODY					SPLINE			FLANGE		Diff Lock Spline
		Length (in)	Dia. (in)	Type	No.	O.D. (in)	Flange Type	O.D. (in)	Bolt Circle (in)	No. Holes	Hole Type	
130523	S110, S110L	39.290	1.56	I	34	1.75	F	6.08	5.22	8	485-STR	
130524	S110, S110L	41.000	1.56	I	34	1.75	F	6.08	5.22	8	485-STR	
130610	S110	37.480	1.56	I	34	1.75	F	6.19	5.22	8	590-STR	
130611	S110	39.173	1.56	I	34	1.75	F	6.19	5.22	8	590-STR	
130757	S110	41.653	1.56	I	34	1.75	F	6.08	5.22	8	485-STR	
130758	S110, S111	38.642	1.56	I	34	1.75	F	6.08	5.22	8	485-STR	
130911	17060S, 19060S, D/R344	42.875	1.81	I	39	2.00	F	6.63	5.50	8	645-STR	
130912	17060S, 19060S, D/R344	38.688	1.81	I	39	2.00	F	6.63	5.50	8	645-STR	
130963	D/R451	44.380	1.87	I	41	2.11	B	8.50	7.00	8	948-TPR	
131245	D/R170, D/R190	46.000	2.25	I	46	2.35	B	8.50	7.00	8	948-TPR	11.50"
131246	D/R170, D/R190	37.000	2.25	I	46	2.35	B	8.50	7.00	8	948-TPR	
131247	D/R170, D/R190	46.000	2.25	I	46	2.35	B	8.50	7.00	8	948-TPR	
131428	D/R170, D/R190	37.000	2.06	I	46	2.35	B	8.50	7.00	8	948-TPR	
131429	D/R170, D/R190	46.000	2.06	I	46	2.35	B	8.50	7.00	8	948-TPR	
131503	D/R170, D/R190	48.835	2.25	I	46	2.35	B	8.50	7.00	8	948-TPR	11.50"
131504	D/R170, D/R190	39.835	2.25	I	46	2.35	B	8.50	7.00	8	948-TPR	
131516	S170, S190	45.150	2.25	I	46	2.35	B	8.50	7.00	8	948-TPR	
131517	S170, S190	37.716	2.25	I	46	2.35	B	8.50	7.00	8	948-TPR	
131717	D/R190D, S190D	46.949	2.25	I	46	2.35	B	8.50	7.24	8	948-TPR	11.50"
131718	D/R190, S190	38.898	2.25	I	46	2.35	B	8.50	7.24	8	948-TPR	
131719	D/R190D, S190D	47.500	2.25	I	46	2.35	B	8.50	7.24	8	948-TPR	11.50"
131720	D/R190, S190	38.425	2.25	I	46	2.35	B	8.50	7.24	8	948-TPR	
131721	D/R190D, S190D	48.425	2.25	I	46	2.35	B	8.50	7.24	8	948-TPR	11.50"
131722	D/R190, S190	39.331	2.25	I	46	2.35	B	8.50	7.24	8	948-TPR	
131723	D/R190, S190	40.394	2.25	I	46	2.35	B	8.50	7.24	8	948-TPR	
131724	D/R190D, S190D	50.945	2.25	I	46	2.35	B	8.50	7.24	8	948-TPR	11.50"
131725	D/R190, S190	42.894	2.25	I	46	2.35	B	8.50	7.24	8	948-TPR	
131726	D/R190D, S190D	53.445	2.25	I	46	2.35	B	8.50	7.24	8	948-TPR	11.50"
131727	D/R190, S190	45.394	2.25	I	46	2.35	B	8.50	7.24	8	948-TPR	
131740	S170D	45.150	2.25	I	46	2.35	B	8.50	7.00	8	948-TPR	
131750	D/R190 WT	49.291	2.25	I	46	2.35	B	8.50	7.24	8	948-TPR	
131751	D/R190 WT	40.196	2.25	I	46	2.35	B	8.50	7.24	8	948-TPR	
131804	D/R170, 190, S170, S190	45.150	2.06	I	46	2.35	B	8.50	7.00	8	773-STR	
131805	D/R170, 190, S170, S190	36.150	2.06	I	46	2.35	B	8.50	7.00	8	773-STR	
131806	D/R170, 190, S170, S190	45.150	2.25	I	46	2.35	B	8.50	7.00	8	773-STR	11.50"
131807	D/R170, 190, S170, S190	36.150	2.25	I	46	2.35	B	8.50	7.00	8	773-STR	
132808	S130	37.834	1.61	I	36	1.85	B	6.22	5.31	8	781-TPR	
132809	S130	39.842	1.61	I	36	1.85	B	6.22	5.31	8	781-TPR	
132823	S130	39.290	1.61	I	36	1.85	F	6.08	5.22	8	485-STR	
132824	S130	41.000	1.61	I	36	1.85	F	6.08	5.22	8	485-STR	
132854	S130	38.740	1.61	I	36	1.85	F	6.22	5.31	8	781-TPR	
132855	S130	40.433	1.61	I	36	1.85	F	6.22	5.31	8	781-TPR	
132856	S110	38.740	1.56	I	34	1.75	F	6.22	5.31	8	781-TPR	
132857	S110	40.433	1.56	I	34	1.75	F	6.22	5.31	8	781-TPR	
132858	S110	40.287	1.56	I	34	1.75	F	6.08	5.22	8	485-STR	
132859	S110	42.000	1.56	I	34	1.75	F	6.08	5.22	8	485-STR	

Axle Shafts by Part Number

Axle Shafts by Part Number



Part No.	Model	BODY		Type	No.	O.D. (in)	SPLINE		FLANGE			Diff Lock Spline
		Length (in)	Dia. (in)				Flange Type	O.D. (in)	Bolt Circle (in)	No. Holes	Hole Type	
132869	S110	37.834	1.61	I	34	1.76	F	6.22	5.31	8	781-TRP	
132870	S110	39.842	1.61	I	34	1.76	F	6.22	5.31	8	781-TRP	
132872	17060S, 19060S, D/R344	38.500	1.81	I	39	2.00	F	6.63	5.50	8	635-STR	
132878	17060D, 19060D	42.750	1.81	I	39	2.50	F	6.63	5.50	8	635-STR	11.00"
133648	S130	39.173	1.61	I	36	1.85	F	6.22	5.22	8	590-STR	
133649	S130	37.480	1.61	I	36	1.85	F	6.22	5.22	8	590-STR	
133659	17060D, 19060D	42.750	1.87	I	39	2.00	F	6.22	5.25	12	566-STR	
133665	S130FR	38.125	1.61	I	36	1.85	F	6.22	5.31	8	781-TRP	
133666	S130FR	39.500	1.61	I	36	1.85	F	6.22	5.31	8	781-TRP	
133684	S110	38.691	1.56	I	34	1.75	F	6.22	5.22	8	590-STR	
133685	S110	40.433	1.56	I	34	1.75	F	6.22	5.22	8	590-STR	
133884	S130	38.219	1.61	I	36	1.85	F	6.22	5.31	8	781-TPR	
133885	S130	39.567	1.61	I	36	1.85	F	6.22	5.31	9	781-TPR	
133961	S140	40.118	1.81	I	39	2.00	F	6.22	5.25	12	781-TRP	
133963	S140	40.118	1.81	I	39	2.00	F	6.63	5.50	8	635-STR	
133996	S130	39.173	1.61	I	36	1.85	F	6.22	5.31	8	781-TPR	
134052	D/R190 WT	50.154	2.25	I	46	2.35	B	8.50	7.00	8	948-TPR	
134054	D/R190 WT	41.154	2.25	I	46	2.35	B	8.50	7.00	8	948-TPR	
134074	S130L, S130R	41.150	1.61	I	36	1.85	F	6.63	5.50	8	635-STR	
134075	S130L, S130R	39.450	1.61	I	36	1.85	F	6.63	5.50	8	635-STR	
134231	S130F	41.150	1.61	I	36	1.85	F	6.22	5.25	12	781-TRP	
134232	S130F	39.450	1.61	I	36	1.85	F	6.22	5.25	12	781-TRP	
134234	S130L	40.197	1.61	I	36	1.85	F	6.22	5.31	8	781-TPR	
134235	S130L	42.205	1.61	I	36	1.85	B	6.22	5.31	8	781-TPR	
210654	19050S, 19050T	40.906	1.81	I	36	1.85	F	6.13	5.25	12	781-TPR	
210902	23080D, 23090D	39.000	2.06	I	36	2.31	B	8.50	7.00	8	773-STR	11.00"
057SR102-1	W230	40.840	2.06	I	46	2.35	B	8.38	7.00	8	948-TPR	
128517HX	404, 405, 454, 21060S, 22060S	43.307	1.87	I	41	2.11	B	8.50	7.00	8	948-TPR	
128521HX	404, 405, 454, 21060S, 22060S	38.130	1.87	I	41	2.11	B	8.50	7.00	8	948-TPR	
128522HX	404, 405, 454, 21060S, 22060S	42.460	1.87	I	41	2.11	B	8.50	7.00	8	948-TPR	
128561HX	DD/RD404, 405, 21060D, 22060D	43.307	1.87	I	41	2.11	B	8.50	7.00	8	948-TPR	11.00"

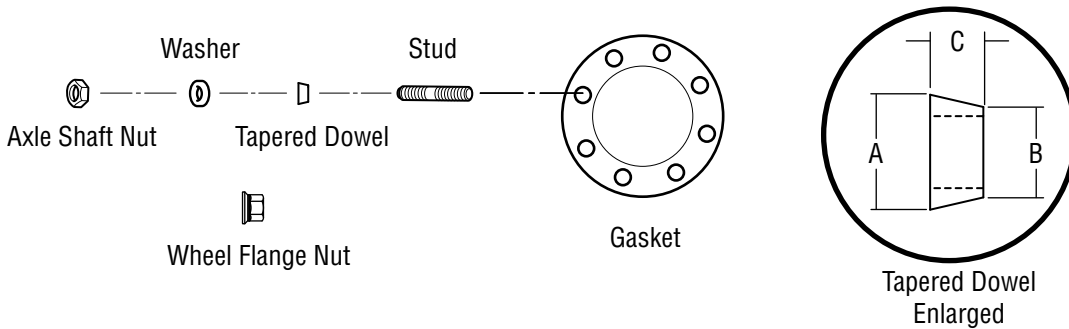
Axle Shafts by Part Number

Part No.	Model	BODY				SPLINE			FLANGE			Diff Lock Spline
		Length (in)	Dia. (in)	Type	No.	O.D. (in)	Flange Type	O.D. (in)	Bolt Circle (in)	No. Holes	Hole Type	
129519HX	23105D, DD/RD461, 462	40.563	2.25	I	36	2.31	B	8.50	7.00	8	948-TPR	11.50"
170SR101	F170S	40.730	1.72	I	36	1.76	F	6.62	5.50	8	650-STR	
175SR102	N175	40.250	1.72	I	36	1.76	F	6.62	5.50	8	650-STR	
179882R1	F170	38.625	1.61	S	16	1.75	F	6.25	5.22	6	.633-STR	
205468R2	F170	39.500	1.72	S	16	1.85	F	6.25	5.22	6	.633-STR	
230SR100-1	S230	39.980	2.06	I	46	2.35	B	8.38	7.00	8	773-STR	
300SR101-1	W300	43.607	2.25	I	46	2.35	B	8.38	7.00	8	948-TPR	
300SR101-2	S230	40.607	2.25	I	46	2.35	B	8.38	7.00	8	948-TPR	
360SR104-1	S135, S150	38.617	1.72	I	36	1.85	F	6.19	5.22	8	590-STR	
360SR108	S135, S150	40.435	1.72	I	36	1.85	F	6.08	5.22	8	485-STR	
360SR109	S135, S150	40.000	1.72	I	36	1.85	F	6.22	5.31	8	770-TPR	
360SR112-1	S135, S150	43.952	1.72	I	36	1.85	F	6.08	5.22	8	485-STR	
360SR112-2	S135, S150	39.917	1.72	I	36	1.85	F	6.08	5.22	8	485-STR	
390SR101-1	S400	41.350	1.89	I	41	2.11	B	8.38	7.00	8	778-STR	
390SR101-2	S400	39.440	1.89	I	41	2.11	B	8.38	7.00	8	948-TPR	
390SR101-3	S400	42.070	1.89	I	41	2.11	B	8.38	7.00	8	948-TPR	
455460C1	F155	38.660	1.61	S	16	1.75	F	6.19	5.22	8	574-STR	
455462C1	F155	38.625	1.61	S	16	1.75	F	6.19	5.22	8	574-STR	
455464C2	F170	40.000	1.72	S	16	1.85	F	6.19	5.22	8	574-STR	
463338C1	F155	38.000	1.61	S	16	1.75	F	6.19	5.22	8	574-STR	
571348C2	F170	39.700	1.72	I	36	1.85	F	5.22	6.19	8	590-STR	
571349C2	J190	40.250	1.85	I	39	2.00	F	6.62	5.50	8	650-STR	
571350C2	J220	40.000	1.89	I	41	2.13	B	8.38	7.00	8	778-STR	
578776C2	J175	43.094	1.85	I	39	2.00	F	6.62	5.50	8	650-STR	
578778C2	J175	40.900	1.85	I	39	2.00	F	6.62	5.50	8	650-STR	
GGASR100-1	G175T	38.617	1.72	I	36	1.85	F	6.22	5.31	8	781-TPR	
GGASR100-9	G175T	40.600	1.72	I	36	1.85	F	6.19	5.31	8	590-STR	
GGASR102-1	G175T	38.617	1.72	I	36	1.85	F	6.22	5.31	8	770-TPR	
GGASR103-1	G175T	40.600	1.72	I	36	1.85	F	6.19	5.25	12	781-TPR	
GGASR103-4	G175T	40.600	1.72	I	36	1.85	F	6.19	5.25	12	770-TPR	
MJASR100-1	M190T	40.900	1.85	I	39	2.00	B	6.19	5.25	12	781-TPR	
MJASR102-1	M190T	40.900	1.85	I	39	2.00	B	6.19	5.25	12	770-TPR	
MJASR123-1	M190T	40.000	1.85	I	39	2.00	B	8.38	7.00	8	778-STR	
MJASR124	M210T	40.720	1.89	I	41	2.13	B	8.38	7.00	8	734-TPR	
817462	EDS16, 18, 21	30.125	1.89	I	41	n/a	n/a	n/a	n/a	n/a	(1)	
817463	EDS16, 18, 21	35.125	1.89	I	41	n/a	n/a	n/a	n/a	n/a	(1)	
983148	Vanhool Bus Applications										(2)	

- (1) Wheel Reduction
(2) Call Dana aftermarket

Misc Axle Shaft & Wheel End Hardware

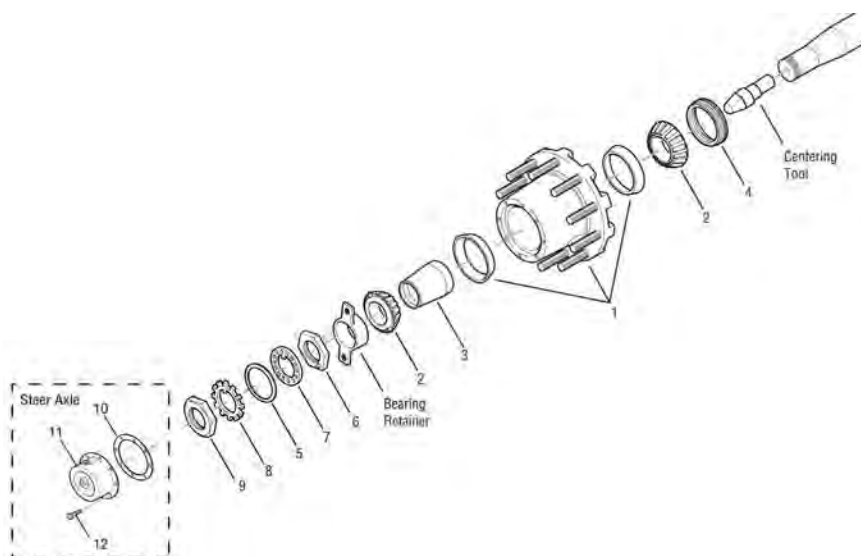
Miscellaneous Axle Shaft and Wheel End Hardware Parts



Part Number	Description	Notes	A	B	C
013885	Tapered Dowel	For 5/8" studs - split dowel	1.000	0.629	0.469
132993	Tapered Dowel	For 5/8" studs - solid dowel	1.000	0.625	0.524
HM237	Tapered Dowel	For 1/2" studs - split dowel	0.804	0.503	0.344
014571	Tapered Dowel	For 1/2" studs - split dowel	0.804	0.503	0.344
215100	Tapered Dowel	For 1/2" studs - split dowel	0.838	0.503	0.391
083481	Tapered Dowel	For 5/8" studs - solid dowel	1.060	0.642	0.594
083482	Tapered Dowel	For 1/2" studs - solid dowel	0.797	0.443	0.500
029804	Washer-Axle Shaft				
006823	Gasket-Axle Shaft	8 hole, 3/4", .020 thick, ID 5.625"	BC 7.00"		
057HG101	Gasket-Axle Shaft	8 hole, 3/4", .010 thick, ID 5.750"	BC 7.00"		
013886	Gasket-Axle Shaft	8 hole, 5/8", .020 thick, ID 5.750"	BC 7.00"		
127042	Gasket-Axle Shaft	8 hole, 5/8", .031 thick, ID 5.625"	BC 7.25"		
127800	Gasket-Axle Shaft	8 hole, 5/8", .010 thick, ID 4.250"	BC 5.50"		
HG106	Gasket-Axle Shaft	8 hole, 5/8", .010 thick, ID 4.000"	BC 5.22"		
129545	Gasket-Axle Shaft	12 hole, 1/2", .020 thick, ID 4.500"	BC 5.25"		
810812	Nut Flange-Wheel				
060600	Nut-Axle Shaft	5/8", 18 thread			
811332	Stud-Wheel	Serrated 22mm 3.55"			
673346	Stud-Wheel	Serrated 22mm 3.94"			
673645	Stud-Wheel	Serrated 22mm 4.91", replaces HM243			
816473	Stud-Wheel	Serrated 22mm 4.32"			
673434	Stud-Wheel	Serrated .750" - 16 RH 2.91" (black)			
673435	Stud-Wheel	Serrated .750" - 16 LH 2.91" (green)			
127794	Stud-Wheel	.625-18 & .625-11 3.50"			
817281	Capscrew - Hex-head	.625-18 - Grade 8			

Wheel End Seals

Wheel End Seals



Outrunner Wheel Seals & Installation Tools

Steer Axles

Universal Handle Part# 800-T

Dana Service Part#	Installation Plate Tool	Bearing Guide Tool	Meritor-MVP/TriSeal	Stemco Guardian	Stemco Grit Guard	CR Scotseal	CR Scotseal Plus	National/Fed-Mogul	National 5-Star Teflon	Dana Production
847	847-T	BCT-6	R65263U	308-0836	382-8063	35066	35059	370001A	380001A	128847
855	855-T	BCT-6	R65000U	308-0853	308-8053	44922	44919	370124A	380124A	128855
857	857-T	BCT-16	R65078U	308-0855	382-8056	45103	45102	370131A	380131A	128857
863	863-T	BCT-8	R65092U	308-0864	382-8064	43764	43763	370048A	380048A	128863

Drive Axles

Universal Handle Part# 800-T

Dana Service Part#	Installation Plate Tool	Bearing Guide Tool	Meritor-MVP/TriSeal	Stemco Guardian	Stemco Grit Guard	CR Scotseal	CR Scotseal Plus	National/Fed-Mogul	National 5-Star Teflon	Dana Production
848	848-T	BCT-10	R65024U	309-0915	392-9099	38750	38748	370024A	380024A	128848
849	849-T	BCT-10	R65152U	309-0912		38780	38779	370023A	380023A	128849
849	849-T	BCT-10	R65152U	309-0912		38780	38779	370023A, B370023BG2	380023A	128208
852	852-T	BCT-10	R65071U	309-0904	392-9090	42672	42671	370031A	380031A	128852
854	854-T	BCT-14	R65184U	309-0965	392-9096	43860	43861	370019A	380019A	128854
856	856-T	BCT-10	R65270U	309-0903	392-9094	45099	45097	370022A	380022A	128856
858	858-T	BCT-15	R65172U	309-0964	392-9088	45160	45158	370021A	380021A	128858
860	860-T	BCT-14	R65165U	309-0960	392-9081	48000	48001	370005A	380005A	128860
861	861-T	BCT-15	R65056U	309-0973		47697	47695	370003A	380003A	128861
861	861-T	BCT-15	R65056U	309-0973		47697	47695	370003A	380003A	974773

Wheel End Seals

Wheel End Seals

Trailer Axles Axles

Universal Handle Part# 800-T

Dana Service Part#	Installation Plate Tool	Bearing Guide Tool	Meritor-MVP/TriSeal	Stemco Guardian	Stemco Grit Guard	CR Scotseal	CR Scotseal Plus	National/Fed-Mogul	National 5-Star Teflon	Dana Production
850	850-T	BCT-10	R65261U	307-0713	372-7098	40136	40133	370036A	380036A	128850
851	851-T	BCT-12	R65262U	307-0723	372-7099	42623	42622	370065A	380065A	128851
853	853-T	BCT-11	R65298U	307-0744	372-7095	43752	43786	370037A	380037A	128853
859	859-T	BCT-13	R65060U	307-0743	392-9111	46305	46304	370025A	380025A	128859

Miscellaneous Wheel Hub Seals & Installation Tools

Universal Handle Part# 800-T

Dana Service Part#	Application	Installation Plate Tool	Bearing Guide Tool	CR Scotseal	CR Scotseal Plus	National / Fed-Mogul	Dana Production	Notes
47860	Drive - Hub Seal	see below	see below	537193, 534640-A	-----	-----	47860	replaces 54274 & 131800
127701	Drive - Hub Seal	-----	-----	-----	-----	B370003BG3	127701	
W20HH100	Drive - Hub Seal	-----	-----	35000	-----	-----	W20HH100	
976601	Drive - Hub Seal - LMS	-----	129442	-----	43761	-----	976601	

Miscellaneous Seal Installation Tools

Dana Service Part No.	Description	Notes
BCT-2	Bearing Guide Tool	For 2.240" Seals
BCT-3	Bearing Guide Tool	For 2.365" Seals
BCT-4	Bearing Guide Tool	For 2.249" Seals
BCT-7	Bearing Guide Tool	For 2.865" Seals
BCT-8	Bearing Guide Tool	For 2.990" Seals
133632	Seal Installation Tool	For 47860 seal

LMS Wheel End Bearing Tools Parts

Dana Service Part No.	Description	Notes
970885	Steer - Bearing Centering Tool - LMS	See bulletin abib-0302 for more details
970886	Drive - Bearing Centering Tool - LMS	See bulletin abib-0302 for more details
970887	Drive - Bearing Retainer - LMS	See bulletin abib-0302 for more details
970888	Steer - Bearing Retainer - LMS	See bulletin abib-0302 for more details

LMS Wheel End Bearing Kits

509258 Steer - LMS Wheel Brg Kit

Part No.	Description	Qty
129380	Bearing Cup	1
129381	Bearing Cone	1
129383	Bearing Cup	1
129384	Bearing Cone	1
129372	Bearing Spacer - LMS	1
970576	Tag - Identification LMS	1
847	Wheel Seal - Steer	1

Wheel End Seals

509259 Drive - LMS Wheel Brg Kit

Part-No.	Description	Qty
129374	Bearing Cup	1
129375	Bearing Cone	1
129377	Bearing Cup	1
129378	Bearing Cone	1
129373	Bearing Spacer - LMS	1
129391	Tag - Identification LMS	1
861	Wheel Seal - Drive	1

Discontinued Axle Shafts

Discontinued Axle Shafts

Part No.	Replaced By	Notes
030470	None	
030562	None	
031136	None	
031413	None	
031928	None	
032586	None	
032686	None	
034370	None	
034372	None	
035310	None	
035332	None	
037303	None	
037311	None	
037313	None	
037357	None	
037405	None	
037406	None	
037426	None	
037883	None	
038045	None	
038208	None	
039825	None	
039826	None	
039827	None	
039828	None	
040934	None	
042681	None	
042925	None	
043776	None	
043777	None	
043981	None	
043982	None	
044006	None	
045059	None	
051136	None	
051264	None	
054014	None	
054192	None	
055293	None	
055294	None	
055957	None	
056000	None	
056001	None	
056203	None	
056981	None	
058975	None	

Part No.	Replaced By	Notes
059502	None	
062164	None	
062166	None	
062199	None	
062214	None	
064130	None	
067742	None	
067790	None	
072617	None	
073467	None	
075143	None	
077866	None	
077974	None	
079005	None	
079130	None	
080929	None	
081682	None	
081683	None	
084185	None	
085214	None	wheel reduction shaft
085215	None	
085485	None	
088987	None	
093633	None	wheel reduction shaft
093663	None	wheel reduction shaft
099024	None	
099182	None	
099183	None	
099408	None	
102560	None	
104546	None	
106395	None	
106396	None	
107487	None	
108549	None	
108550	None	
108553	None	
108554	None	
108557	None	
108558	None	
108559	None	
108560	None	
108561	None	
110334	None	
110881	None	
111137	None	

Discontinued Axle Shafts

Part No.	Replaced By	Notes	Part No.	Replaced By	Notes
111348	None		128893	None	
111589	None		128911	None	
111638	None		128913	None	
111778	None		128914	None	
113615	None		128915	None	
119258	None		128916	None	
119268	None	wheel reduction shaft	128991	None	
119627	None		129052	None	
119628	None		129324	None	wheel reduction shaft
119949	None		129325	None	wheel reduction shaft
126606	None	wheel reduction shaft	129326	None	wheel reduction shaft
126607	None	wheel reduction shaft	129349	None	
126789	None		129369	None	
126923	None	wheel reduction shaft	129432	None	
126973	None		129434	None	
126983	None		129480	None	
127008	None		129481	None	
127049	None	wheel reduction shaft	129963	None	
127186	None	wheel reduction shaft	130107	130107HX	
127659	None	wheel reduction shaft	130189	None	
127660	None	wheel reduction shaft	130212	None	
127662	None	wheel reduction shaft	130213	130213HX	
127663	None	wheel reduction shaft	130879	None	
127664	None	wheel reduction shaft	130972	None	
127671	None		130973	None	
127692	None		131516	None	
127803	None		131750	None	
127870	None		131751	None	
127875	None		132801	None	
128159	None	wheel reduction shaft	132805	None	
128226	None		132806	None	
128344	None		132813	None	See Bulletin abib-0703
128434	None		132814	None	See Bulletin abib-0703
128497	None		132949	None	
128498	None		133884	None	
128501	None		133885	None	
128502	None		133996	None	
128503	None		134052	None	
128503	None		134054	None	
128521	None		134234	None	
128549	128549HX		134235	None	
128551	None		210717	None	
128552	128552HX		057SR101-1	None	
128562	None	DA/RA404	057SR101-2	None	
128572	None		057SR107-1	None	

Discontinued Axle Shafts

Discontinued Axle Shafts

Part No.	Replaced By	Notes
057SR107-2	None	
057SR107-3	None	
057SR107-4	None	
080SR103	None	
161087R2	None	
170SR104	None	
171094R1	None	
172712R2	None	
172713R2	None	
288345C2	None	
230SR100-2	None	
230SR100-3	None	
230SR102	None	
360SR104-2	None	
360SR106	None	
360SR111	None	
390SR101	None	
390SR101-4	None	
390SR101-5	None	
390SR101-6	None	
390SR101-7	None	
390SR101-8	None	
390SR101-9	None	
436957R3	None	
MJASR103-1	None	
MJASR110-1	None	
MJASR123-2	None	
MJASR123-3	None	
MJASR126-1	None	
MJASR126-2	None	
MJASR127	None	
MJASR129	None	
MJASR130	None	

Superseded Parts List

Superseded Parts List

Obsolete Part No.	Current Part No.	Note	Obsolete Part No.	Current Part No.	Note
035560	058975	058975 now obsolete	62165	062165	
051084	037311	037311 now obsolete	62166	062166	062166 now obsolete
064973	056980		76917	076917	
067591	062165		65360	065360	
067747	054014	054014 now obsolete	99407	099407	
084186	108550	108550 now obsolete	128990	130156	
084187	108551		128553	126881	Also requires p/n 013885 (qty-8)
084188	108552		129519	129519HX	
099184	108555		126967	126965	Also requires p/n 013885 (qty-8)
099185	108556		129139	129138	Also requires p/n 013885 (qty-8)
110885	129507		129508	129507	Also requires p/n 013885 (qty-8)
111013	129507	Also requires p/n 013885 (qty-8)	126601	126195	Also requires p/n 013885 (qty-8)
113889	119949	119949 now obsolete	129957	129954	Also requires p/n 013885 (qty-8)
119595	129332		129356	129556	
119903	126965		129421	129002	Also requires p/n 013885 (qty-8)
126195	129520		129211	129000	Also requires p/n 013885 (qty-8)
126964	129513	Also requires p/n 129263 clutch	129478	129010	
126966	129515	Also requires p/n 129263 clutch	119927	110882	
126972	129517	Also requires p/n 129263 clutch	129011	129479	
126981	129519HX		130685	128514	
128315	129513		127668	126877	
128318	129519HX		130686	128515	
128342	129961		130682	127437	
128437	129516	Also requires p/n 129263 clutch	130683	127438	
128439	129520	Also requires p/n 129263 clutch	130684	128435	
128517	128517HX		130687	128559	
128555	129522	Also requires p/n 129263 clutch	126880	129141	
128955	129511	Also requires p/n 129263 clutch	128055	129140	
129515	129513	Also requires p/n 013885 (qty-8)	129137	129141	
129757	128517HX		119811	126958	Also requires p/n 013885 (qty-8)
129955	129960		HM237	014571	
129959	129954		HM243	673645	
129962	129954	Also requires p/n 013885 (qty-8)			
130657	113335				
210307	129597				
210312	129142				
210343	129140				
210512	128375				
210655	129138				
210704	129138	Also requires p/n 013885 (qty-8)			
210706	129141				
58975	058975	058975 now obsolete			
56981	056981	056981 now obsolete			
56980	056980				



SPICER®

Drivetrain Products

Axles
Driveshafts
Off-Highway Transmissions

LONG®

Thermal Products

Transmission Oil Coolers
Engine Oil Coolers

VICTOR REINZ®

Sealing Products

Gaskets and Seals
Cylinder-Head Cover Modules
Thermal-Acoustic Protective Shielding



Dana Aftermarket Group
PO Box 321
Toledo, Ohio 43697-0321

Warehouse Distributor: 1.800.621.8084
OE Dealers: 1.877.777.5360

www.spicerparts.com

SPICER®

